

Ideal For:

- Rugged Portable Computers
- Medical Diagnostic Equipment
- Hardened Keyboards
- Navigation and GPS Systems
- Test and Inspection Equipment
- Kiosks
- Machine Control Panels
- Pan and Tilt Controllers

Simple to Integrate

Both *Mouse Button* and *Mini Joystick* modules are dual click-button pointing devices designed for integration into tight, cramped spaces. Their slim profiles require less than 0.25" of mounting depth much less than typical trackballs or joysticks. Module performance is unaffected by the mounting orientation, whether horizontal or vertical, providing system designers maximum flexibility with product design. The *Mini Joystick* and the *Mouse Button* are plug-and-play utilizing standard mouse data output, and several cabling options are available.

Rugged and Sealable

The *Mini Joystick* and *Mouse Button* modules have no moving parts or mechanical subassemblies to gum up, break down or be cleaned. Both are maintenance free, deliver "mouse" lifetimes in excess of 5 million actuations, and are designed to be easily sealed against liquids and contaminants.

Easy to Use

The touch of a fingertip on the MicroModule actuator delivers simultaneous 360° control of cursor direction and speed. Choose from 2 actuator styles, either *Mouse Button* (rounded disk with a divot for fingertip), or *Mini Joystick* (a compact control stick). Both are made of tough, yet compliant silicone rubber allowing comfortable and continuous use.

OEM Starter Kit Available

To assist in evaluation and integration of MicroModule pointing devices Interlink Electronics offers an OEM Starter Kit. The kit contains working samples of both the *Mouse Button* and *Mini Joystick* actuators, electronics, USB, Serial and PS/2 cables, documentation and VersaPoint software drivers for serial and PS/2 only.



How it Works

VersaPoint Pressure-Pointing Technology gives total cursor control through the simple touch of a finger or thumb. Directional control is achieved by applying pressure in the direction of desired movement. Speed is controlled by altering the amount of applied pressure. The result is smooth cursor movement in any direction, from a precise crawl to a screen-crossing zip.

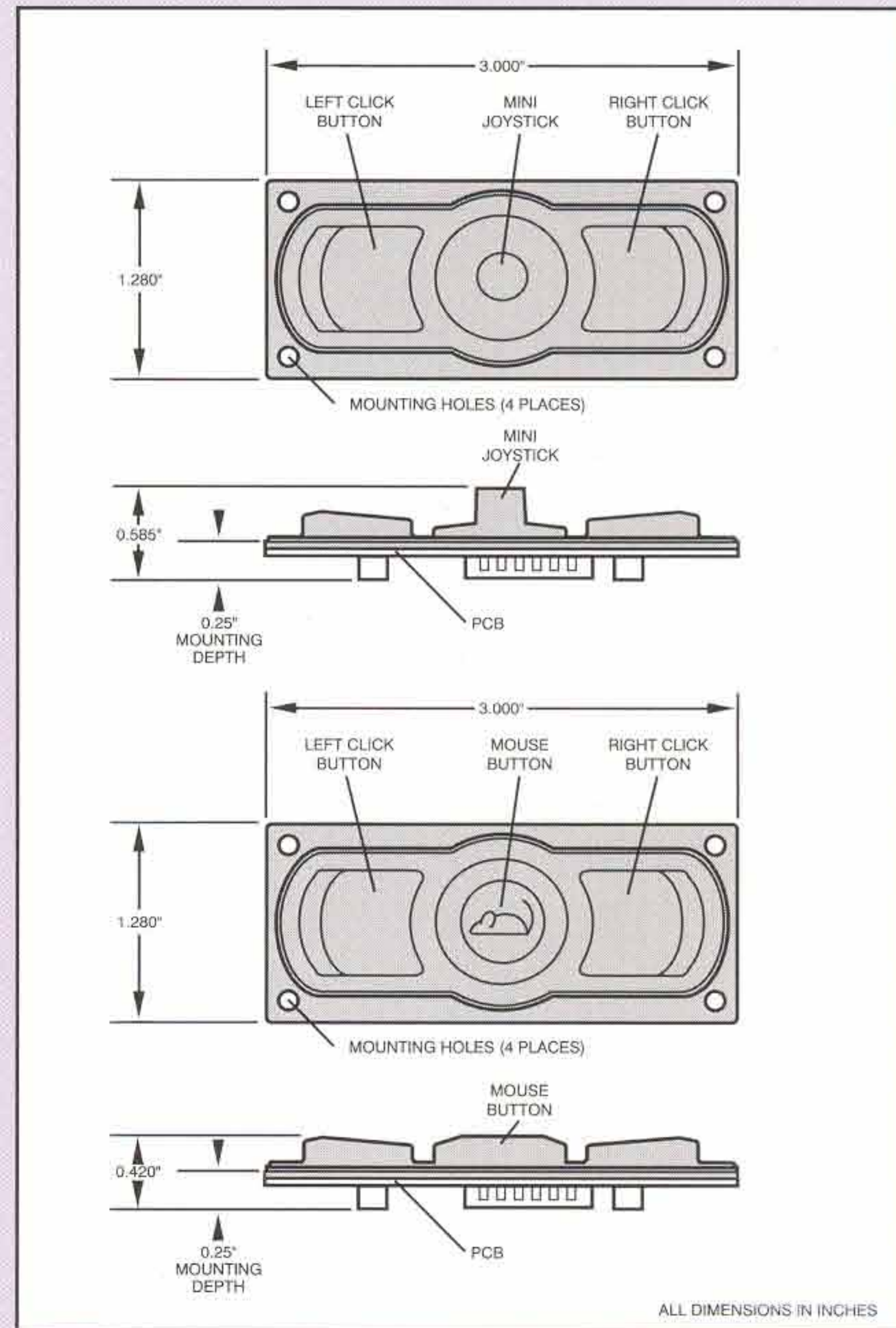
**INTERLINK
ELECTRONICS**

www.interlinkelectronics.com

ELECTRADE GmbH
Elektronik-Vertrieb und Consulting

Lochamer Schlag 10b * 82166 Gräfelfing * Deutschland
Tel. +49 89 8981050 * Fax. +49 89 8544922 * www.electrade.com

MicroModule™ OEM POINTING SOLUTIONS



MicroModule solutions can be customized to meet specific requirements (i.e., custom shapes, output protocols, multiple buttons, cabling types and colors).

• SPECIFICATIONS

Hardware Interfaces:	RS232C serial, PS/2 mouse port, direct serial TTL levels, or USB port
Output Data Formats:	Microsoft, PS/2 two-button mouse (custom three-button solutions available), and USB
System Compatibility:	DOS, Windows, OS/2 via serial and PS/2. PS/2 compatible with and PS/2 port (X-terminals, etc.)
Cursor Directional Control:	Continuous 360° control
Cursor Speed Control:	Proportional to applied pressure
Power Consumption:	<6mA at 5V DC, <3mA at 3.3V DC, and <20mA for USB
Weight:	<15 grams
Liquid/Dust Resistance:	Complete when sealed into system*
Mounting Options:	PEM studs, heat staking, fasteners, etc.
Lifetime:	Mouse actuator: >5 million cycles
Primary Material:	Silicone rubber actuator
Chemical Resistance:	Soap, alcohol, bleach, oil, saline, etc.
Temperature:	Operating: +32° to +158°F (0° to +70°C) Storage: -40° to +185°F (-40° to +85°C) (Extended temperature ranges available)
Shock:	80G acceleration, 11 msec, half-sine*
Vibration:	MIL STD 202, Method 204, Condition A*
EMI:	FCC Rule 15, Class B Certifiable*
ESD Susceptibility:	IEC 801-2, Level 4 (no errors at 15kV)*
Optional Cables:	6-ft PCB connector to DB-9 serial 12" PCB connector to discrete wires DB-9 serial to PS/2 adapter 6-ft PCB connector to USB type A

* when properly integrated